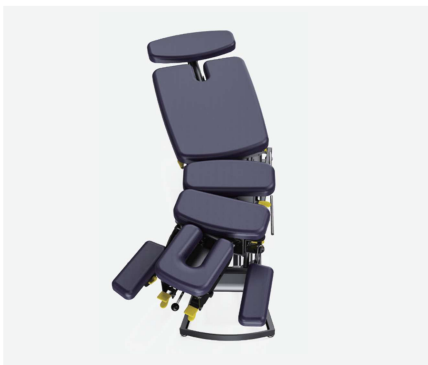




Absolute Electric Chiropractic Manipulation Table

Absolute is a patented treatment table engineered to meet the rigorous demands of modern manual therapy. Equipped with dual lifting and tilting motors, it ensures smooth and effortless adjustments that enhance therapist efficiency. Designed to support chiropractors, physical therapists, osteopaths, and sports treatment professionals, the table combines dynamic 3D motion, advanced manual flexion-dis-traction movement, axial rotation, and traction functions to deliver superior versatility and clinical performance.

Key Features



Dynamic 3D Treatment Motion



Superior Spine&Joint Mobilization



Motorized Height&Tilt Adjustments

Absolute Electric Chiropractic Manipulation Table



Functions

Flexion

- Headpiece lateral manual flexion: $\pm 18^\circ$
- Thorax section lateral manual flexion: $\pm 18^\circ$
- Pneumatically thorax section vertical flexion: $-18^\circ \sim 0^\circ$
- Pneumatically assisted lumbar vertical flexion $-35^\circ \sim +15^\circ$
- Lumbar lateral manual flexion: $\pm 18^\circ$

Rotation

- Axial rotation at any position: $\pm 23^\circ$

Traction

- Manual lumbar traction 3.2"/8cm
- Manual cervical traction 2.5"/6.5cm

Dropping

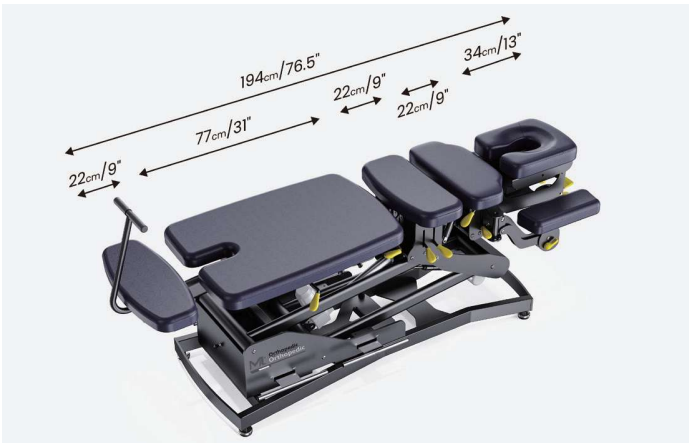
- Straight Cervical spine drop
- Lumbar traction drop

Adjustment

- Powerlift table height adjustable: 24"~48"/60~121cm
- Electrical tilt up/down: $-12^\circ \sim +52^\circ$
- Double built-in foot bar for height&tilt adjustment
- Pneumatically assisted tilting headrest: $-40^\circ \sim +27^\circ$
- Pneumatically assisted elevating headrest: $0^\circ \sim +40^\circ$
- Height-adjustable & Rotatable Armrests
- Rotating Foot Support Extended

Specifications

- Maximum Working Load: 440 lbs/200 kg
- Lifting Capacity: 440 bs/200 kg
- Table Length: 76"/194 cm
- Table Width: 23.6"/60 cm
- Height Range: 24"~48"/60~121cm
- Net Weight: 384 lbs/ 174 kg



Absolute Electric Chiropractic Manipulation Table

Dimensioned Diagram

