



Prime Electric 3D Flexion Distraction Osteopathy Table

The Prime Chiropractic Table is a precision-engineered manual therapy platform designed for spinal manipulation, lumbar traction, and 3D flexion-distraction therapy. Its single-column PowerLift structure ensures superior stability, while the adjustable sections enable practitioners to perform decompression, mobilization, and soft-tissue techniques with accuracy and ease.

Built for chiropractors, osteopaths, and physiotherapists, Prime offers smooth movement in multiple axes — ideal for restoring alignment, improving joint function, and relieving muscle tension through dynamic positioning.

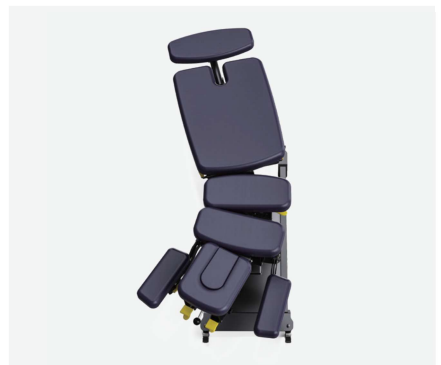
Key Features



Dynamic Axial Traction



Superior Spine&Joint Mobilization



Dynamic 3D Treatment Motion

Prime Electric 3D Flexion Distraction Osteopathy Table



Functions

Flexion

- Headpiece lateral manual flexion: $\pm 18^\circ$
- Thorax section lateral manual flexion: $\pm 18^\circ$
- Pneumatically thorax section vertical flexion: $-18^\circ \sim 0^\circ$
- Pneumatically assisted lumbar vertical flexion $-35^\circ \sim +15^\circ$
- Lumbar lateral manual flexion: $\pm 18^\circ$

Rotation

- Axial rotation at any position: $\pm 23^\circ$

Traction

- Manual lumbar traction 3.2"/8cm
- Manual cervical traction 2.5"/6.5cm

Dropping

- Straight Cervical spine drop
- Lumbar traction drop

Adjustment

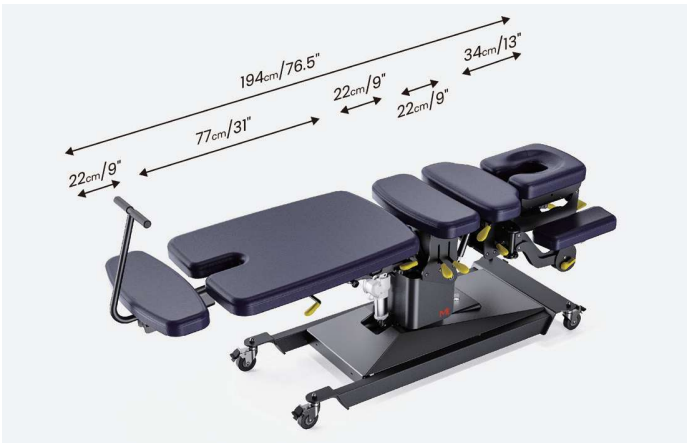
- Powerlift table height adjustable: 25.6"~32.7"/65~83cm
- Electrical tilt down: $-12^\circ \sim 0^\circ$
- Double foot pedal for height & tilt adjustment
- Pneumatically assisted tilting headrest: $-40^\circ \sim +27^\circ$
- Pneumatically assisted elevating headrest: $0^\circ \sim +40^\circ$
- Height-adjustable & Rotatable Armrests
- Rotating Foot Support Extender

Specifications

- Maximum Working Load: 440 lbs/200 kg
- Lifting Capacity: 440 lbs/200 kg
- Table Length: 76"/194 cm
- Table Width: 23.6"/60 cm
- Height Range: 25.6"~32.7"/65~83cm
- Net Weight: 362 lbs/ 164 kg

Prime Electric 3D Flexion Distraction Osteopathy Table

Dimensioned Diagram



Prime Electric 3D Flexion Distraction Osteopathy Table

Dimensioned Diagram

